

0,6 - 12,7 kW

**NEW
PRODUCT**

SBL Series

small unit coolers

SBL SERİSİ UFAK ODA SOĞUTUCULARI



SARBUZ.COM

SINCE 1974
SARBUZ[®]
HEAT EXCHANGERS





SARBUZ SBL Serisi Ufak Oda Soğutucuları, küçük ve orta kapasiteli soğutma sistemleri için enerji, ses seviyesi, ilk yatırım maliyeti ve işletme giderleri dikkate alınarak hesaplanmıştır.

SARBUZ SBL Series Small Unit Coolers are designed for low and middle capacity cooling systems according to energy consumption, sound pressure level, investment and operating costs

ÜRÜN SEÇİMİ
PRODUCT SELECTION

KAPASİTE TABLOSU
CAPACITY TABLES

ÖLÇÜLER
MEASURES

TEKNİK ÇİZİMLER
TECHNICAL DRAWINGS

GENEL ÖZELLİKLER
SPECIFICATIONS



Ürün Kodlama Product Classification

SARBUZ Ufak Oda Soğutucu
SARBUZ Small Unit Cooler

SBL-

Hatve
Fin Spacing

8

Batarya Kodu
Coil Code

4-

Fan 2 ad. x Ø 300mm.
Fans 2 pcs. x Ø 300mm.

230-

Hava ile defrost veya rezistansız
Air defrost or non defrost

AD

Sıcak gaz defrost
Hot gas defrost

GD

Yüksek sıcaklık için rezistans (T_r = +5/-2)
Electric defrost for high temperature

HT

Düşük sıcaklık için rezistans (T_r = -2/-25)
Electric defrost for low temperature

LT

Su ile defrost
Water defrost

WD



Kodlama - Ürün Seçimi

Classification - Product Selection

Örnek Seçim -1 • Selection Example -1

Evaporator çalışma koşulları standart şartlarda değil ise aşağıdaki formül ve tablolar kullanılarak ürün kapasitesi SC2 şartına dönüştürülür. Bu durumda oda sıcaklığına uygun lamel aralığı belirlenip SC2 kapasite değerinden ürün seçimi önerilmektedir.

If the operating condition of the evaporator is different than Eurovent standards, please use the following formula and tables to convert your capacity to SC2 conditions. In this case, the evaporator can be selected from suitable fin space and SC2 columns.

Soğutma Yüğü / Cooling capacity: $Q_r = 5600 \text{ W}$
 Oda Sıcaklığı / Room Temperature: $T_r = +4^\circ\text{C}$
 Evaporasyon Sıcaklığı / Evaporation Temperature: $T_e = -6^\circ\text{C}$
 $\Delta T = T_r - T_e = (4) - (-6) = 10 \text{ K}$
 Soğutkan / Refrigerant: **404A**
 Fin Malzemesi / Fin Material: **Al**

$$Q_n = Q_r \times A_1 \times A_2 \times A_3$$

$$Q_n = 5600 \times 0,70 \times 1 \times 1 = 3920 \text{ W}$$

SC2 şartlarında;
 Seçilen Soğutucu / Selected Unit Cooler: **SBL-64-230 - 4050 W**

Örnek Seçim -2 • Selection Example -2

Evaporatör çalışma koşullarının Eurovent standart şartlarında olması durumunda, ilgili şarttan direkt seçim yapılır. Bu örnekte 0°C oda sıcaklığı ve -8°C evaporasyon sıcaklığı için 6 mm lamel aralığından ve SC2 kapasite değerinden ürün seçilmesi önerilmektedir.

The evaporators can be directly selected from the related tables, when the evaporator operating conditions are same with Eurovent Standard conditions. For this example, the evaporator can be selected from 6 mm tables, directly from SC2 columns.

Soğutma Yüğü / Cooling capacity: $Q_r = 5600 \text{ W}$
 Oda Sıcaklığı / Room Temperature: $T_r = 0^\circ\text{C}$
 Evaporasyon Sıcaklığı / Evaporation Temperature: $T_e = -8^\circ\text{C}$
 Soğutkan / Refrigerant: **404A**
 Fin Malzemesi / Fin Material: **Al**

SC2 şartlarında;
 Seçilen Soğutucu / Selected Unit Cooler: **SBL-62-235 - 5620 W**

A ₁		Düzeltilme Katsayısı / Correction Coefficient																	
Tr (°C)		-35	-30	-25	-20	-18	-15	-10	-5	0	1	2	3	4	5	6	8	10	12
Δt = Tr - Te Sıcaklık Farkı Temperature Difference	10	0,92	0,92	0,91	0,89	0,88	0,86	0,84	0,82	0,80	0,77	0,72	0,72	0,70	0,68	0,68	0,68	0,68	0,68
	9	1,02	1,02	1,01	0,98	0,97	0,96	0,93	0,91	0,89	0,86	0,83	0,81	0,78	0,76	0,76	0,76	0,76	0,76
	8	1,15	1,15	1,14	1,11	1,10	1,08	1,05	1,02	1,00	0,97	0,93	0,91	0,88	0,85	0,85	0,85	0,85	0,85
	7	1,31	1,31	1,30	1,27	1,25	1,23	1,20	1,17	1,14	1,10	1,07	1,04	1,00	0,97	0,97	0,97	0,97	0,97
	6	1,53	1,53	1,52	1,47	1,46	1,44	1,40	1,37	1,33	1,29	1,25	1,21	1,17	1,14	1,14	1,14	1,14	1,14
	5	1,84	1,84	1,82	1,77	1,75	1,72	1,68	1,64	1,60	1,55	1,50	1,45	1,40	1,36	1,36	1,36	1,36	1,36
	4	2,30	2,30	2,27	2,21	2,19	2,16	2,10	2,05	2,00	1,93	1,87	1,81	1,75	1,70	1,70	1,70	1,70	1,70
		SC4				SC3			SC2				SC1						

A ₂		Oda Sıcaklığına (Tr) Göre Soğutucu Gaz Katsayısı / Refrigerant Coefficient According to Room Temperature (Tr)																	
Tr (°C)		-35	-30	-25	-20	-18	-15	-10	-5	0	1	2	3	4	5	6	8	10	12
R22		1,05	1,05	1,05	1,05	1,05	1,05	1,05	1,05	1,05	1,05	1,05	1,05	1,05	1,05	1,05	1,05	1,05	1,05
R134A		-	-	-	-	1,18	1,16	1,14	1,12	1,10	1,10	1,10	1,09	1,09	1,09	1,09	1,08	1,08	1,08
R404A		1,00	1,00	1,00	1,00	1,00	1,00	1,00	1,00	1,00	1,00	1,00	1,00	1,00	1,00	1,00	1,00	1,00	1,00
R507A		1,03	1,03	1,03	1,03	1,03	1,03	1,03	1,03	1,03	1,03	1,03	1,03	1,03	1,03	1,03	1,03	1,03	1,03

A₃ Malzeme düzeltme katsayısı
 Fin material correction coefficient

Alüminyum Aluminium (Al)	Kaplamalı Alüminyum Coated Aluminium (Al/PC)	Bakır Copper (Cu)
1	1,03	0,97

Eurovent EN 328 Standart çalışma şartları
 Standard conditions according to Eurovent EN 328

Standart Kapasite Şartları Standard Capacity Conditions	Hava Giriş Sıc. Inlet Air Temp.	Evaporasyon Sıc. Evaporation Temp.	Önerilen Lamel Aralığı Recommended Fin Space
SC1	10	0	4 - 6 mm
SC2	0	-8	6 - 8 mm
SC3	-18	-25	8 - 10 mm
SC4	-25	-31	10 mm

Model	Kapasite / Capacity			Isı Transfer Yüzeği Heat Exchanger Surface	Fan					Isıtıcılar Electrical Defrost		
	SC1	+2 / -8	SC2		Çap Diameter	Hava Debisi Air Flow	Hava Atım Mesafesi Air Throw	Elektrik Gücü Power Consumption	Ses Seviyesi Noise Level	HT	LT	
	Tr= 10°C Te= 0°C ΔT= 10K	Tr= +2°C Te= -8°C ΔT= 10K	Tr= 0°C Te= -8°C ΔT= 8K							Batarya Coil	Batarya Coil	Tava Drip Tray
	Watt	Watt	Watt		m ²	mm	m ³ /h	m	Watt	dB(A)	Watt	Watt
SBL-41-125	1380	1240	930	3.9	1xØ250	770	5	95	43	1 x 300	-	-
SBL-42-125	1600	1430	1070	5.2	1xØ250	710	4	95	43	2 x 300	-	-
SBL-44-125	1850	1710	1280	7.8	1xØ250	600	4	95	45	2 x 300	-	-
SBL-41-130	2330	2120	1590	6.3	1xØ300	1400	7	66	48	1 x 400	-	-
SBL-42-130	2840	2570	1920	8.4	1xØ300	1320	7	69	48	2 x 400	-	-
SBL-43-130	3180	2900	2170	10.5	1xØ300	1250	7	70	49	2 x 400	-	-
SBL-44-130	3450	3160	2370	12.5	1xØ300	1190	6	71	50	2 x 400	-	-
SBL-41-135	4160	3680	2750	10.2	1xØ350	2680	12	153	55	2 x 520	-	-
SBL-42-135	5070	4550	3410	13.6	1xØ350	2510	11	155	54	2 x 520	-	-
SBL-43-135	5660	5140	3840	16.9	1xØ350	2370	11	158	54	2 x 520	-	-
SBL-44-135	6180	5640	4220	20.4	1xØ350	2250	10	159	54	3 x 520	-	-
SBL-41-225	2730	2470	1850	7.8	2xØ250	1540	6	190	46	1 x 600	-	-
SBL-42-225	3260	2940	2200	10.5	2xØ250	1410	5	190	46	2 x 600	-	-
SBL-44-225	3750	3430	2570	15.7	2xØ250	1200	5	190	48	2 x 600	-	-
SBL-41-230	4800	4320	3230	12.5	2xØ300	2790	8	132	51	1 x 800	-	-
SBL-42-230	5730	5200	3890	16.7	2xØ300	2640	8	138	51	2 x 800	-	-
SBL-43-230	6440	5870	4390	20.9	2xØ300	2510	8	140	52	2 x 800	-	-
SBL-44-230	6950	6380	4770	25.1	2xØ300	2390	7	142	53	3 x 800	-	-
SBL-41-235	8250	7380	5520	20.2	2xØ350	5350	13	306	58	2 x 1040	-	-
SBL-42-235	10230	9230	6900	27.2	2xØ350	5020	12	310	57	2 x 1040	-	-
SBL-43-235	11380	10230	7650	33.9	2xØ350	4740	12	316	57	3 x 1040	-	-
SBL-44-235	12290	11100	8300	40.6	2xØ350	4500	11	318	57	3 x 1040	-	-
SBL-41-325	4200	3800	2840	11.8	3xØ250	2320	7	285	48	1 x 900	-	-
SBL-42-325	4890	4460	3340	15.7	3xØ250	2120	6	285	48	2 x 900	-	-
SBL-44-325	5650	5200	3890	23.5	3xØ250	1800	6	285	50	2 x 900	-	-
SBL-41-330	7050	6410	4800	18.8	3xØ300	4190	9	198	53	2 x 1200	-	-
SBL-42-330	8620	7820	5850	25.1	3xØ300	3960	9	207	53	2 x 1200	-	-
SBL-43-330	9710	8800	6580	31.4	3xØ300	3760	9	210	54	2 x 1200	-	-
SBL-44-330	10390	9390	7030	37.6	3xØ300	3580	8	213	55	3 x 1200	-	-
SBL-41-335	12620	11340	8480	30.4	3xØ350	8030	14	459	60	2 x 1560	-	-
SBL-42-335	15090	13900	10390	40.6	3xØ350	7540	13	465	59	2 x 1560	-	-
SBL-43-335	17160	15440	11550	50.8	3xØ350	7120	13	474	59	3 x 1560	-	-
SBL-44-335	18680	16920	12660	61.1	3xØ350	6740	12	477	59	3 x 1560	-	-

ÜRÜN SEÇİMİ
PRODUCT SELECTION

KAPASİTE TABLOSU
CAPACITY TABLES

ÖLÇÜLER
MEASURES

TEKNİK ÇİZİMLER
TECHNICAL DRAWINGS

GENEL ÖZELLİKLER
SPECIFICATIONS



Kapasite ve Ölçüler

Capacity and Measures

Model	Ölçüler / Dimensions											Bağlantılar Connections		
	Boru Hacmi Tube Volume	Ağırlık Weight	L	H1	H2	D	A	B	B1	B2	C	Soğutucu Gaz Refrigerant		Defrost Defrost
												Giriş In	Çıkış Out	Çıkış Out
	l	kg	mm	mm	mm	mm	mm	mm	mm	mm	mm	Inch	Inch	Inch
SBL-41-125	0.6	15	608	376	412	420	276	325	-	-	306	3/8"	3/8"	1"G
SBL-42-125	0.8	16	608	376	412	420	276	325	-	-	306	3/8"	3/8"	1"G
SBL-44-125	1.2	19	608	376	412	420	276	325	-	-	306	1/2"	5/8"	1"G
SBL-41-130	1.0	17	708	440	476	459	291	425	-	-	321	1/2"	5/8"	1"G
SBL-42-130	1.3	18	708	440	476	459	291	425	-	-	321	1/2"	5/8"	1"G
SBL-43-130	1.7	20	708	440	476	459	291	425	-	-	321	1/2"	5/8"	1"G
SBL-44-130	2.0	22	708	440	476	459	291	425	-	-	321	1/2"	19	1"G
SBL-41-135	1.6	23	828	536	572	489	321	545	-	-	351	1/2"	19	1"G
SBL-42-135	2.2	25	828	536	572	489	321	545	-	-	351	1/2"	19	1"G
SBL-43-135	2.6	28	828	536	572	489	321	545	-	-	351	1/2"	22	1"G
SBL-44-135	3.2	30	828	536	572	489	321	545	-	-	351	1/2"	22	1"G
SBL-41-225	1.2	23	908	376	412	420	276	625	-	-	306	1/2"	5/8"	1"G
SBL-42-225	1.7	25	908	376	412	420	276	625	-	-	306	1/2"	5/8"	1"G
SBL-44-225	2.5	30	908	376	412	420	276	625	-	-	306	1/2"	19	1"G
SBL-41-230	2.0	26	1108	440	476	459	291	825	-	-	321	1/2"	19	1"G
SBL-42-230	2.7	29	1108	440	476	459	291	825	-	-	321	1/2"	22	1"G
SBL-43-230	3.3	32	1108	440	476	459	291	825	-	-	321	1/2"	22	1"G
SBL-44-230	4.0	34	1108	440	476	459	291	825	-	-	321	5/8"	28	1"G
SBL-41-235	2.9	36	1348	536	572	489	321	1065	-	-	351	1/2"	22	1"G
SBL-42-235	4.3	40	1348	536	572	489	321	1065	-	-	351	5/8"	28	1"G
SBL-43-235	5.2	45	1348	536	572	489	321	1065	-	-	351	5/8"	28	1"G
SBL-44-235	6.1	49	1348	536	572	489	321	1065	-	-	351	5/8"	28	1"G
SBL-41-325	1.9	30	1208	376	412	420	276	925	-	-	306	1/2"	19	1"G
SBL-42-325	2.5	33	1208	376	412	420	276	925	-	-	306	1/2"	22	1"G
SBL-44-325	3.7	41	1208	376	412	420	276	925	-	-	306	1/2"	22	1"G
SBL-41-330	3.0	34	1508	440	476	459	291	1225	-	-	321	5/8"	28	1"G
SBL-42-330	4.0	38	1508	440	476	459	291	1225	-	-	321	5/8"	28	1"G
SBL-43-330	5.0	42	1508	440	476	459	291	1225	-	-	321	5/8"	28	1"G
SBL-44-330	6.0	47	1508	440	476	459	291	1225	-	-	321	5/8"	28	1"G
SBL-41-335	4.5	52	1868	536	572	489	321	1585	-	-	351	5/8"	28	1"G
SBL-42-335	6.1	56	1868	536	572	489	321	1585	-	-	351	5/8"	28	1"G
SBL-43-335	7.8	62	1868	536	572	489	321	1585	-	-	351	5/8"	28	1"G
SBL-44-335	9.5	68	1868	536	572	489	321	1585	-	-	351	5/8"	28	1"G

Model	Kapasite / Capacity					Isı Transfer Yüzeği Heat Exchanger Surface	Fan					Isıtıcılar Electrical Defrost		
	SC1	+2/-8	SC2	SC3	SC4		Cap Diameter	Hava Debisi Air Flow	Hava Atım Mesafesi Air Throw	Elektrik Gücü Power Consumption	Ses Seviyesi Noise Level	HT	LT	
	Tr= 10°C Te= 0°C ΔT= 10K	Tr= +2°C Te= -8°C ΔT= 10K	Tr= 0°C Te= -8°C ΔT= 8K	Tr= -18°C Te= -25°C ΔT= 7K	Tr= -25°C Te= -31°C ΔT= 6K		mm	m ³ /h	m	Watt	dB(A)	Watt	Watt	Watt
SBL-61-125	1100	1000	750	510	410	2.7	1xØ250	810	5	95	43	1 x 300	2 x 300	1 x 300
SBL-62-125	1340	1210	900	700	560	3.6	1xØ250	760	5	95	43	2 x 300	2 x 300	1 x 300
SBL-64-125	1640	1500	1120	900	700	5.4	1xØ250	660	4	95	44	2 x 300	3 x 300	1 x 300
SBL-61-130	1830	1660	1240	1010	810	4.3	1xØ300	1450	8	66	48	1 x 400	2 x 400	1 x 400
SBL-62-130	2310	2090	1570	1220	990	5.8	1xØ300	1380	7	69	48	2 x 400	3 x 400	1 x 400
SBL-63-130	2680	2420	1810	1450	1170	7.2	1xØ300	1320	7	70	48	2 x 400	3 x 400	1 x 400
SBL-64-130	2940	2690	2010	1590	1290	8.7	1xØ300	1270	7	71	49	2 x 400	3 x 400	1 x 400
SBL-61-135	3330	2980	2230	1740	1330	7.0	1xØ350	2770	12	153	55	2 x 520	3 x 520	1 x 520
SBL-62-135	4130	3720	2780	2190	1760	9.4	1xØ350	2640	12	155	55	2 x 520	3 x 520	1 x 520
SBL-63-135	4720	4270	3190	2530	2050	11.7	1xØ350	2510	11	158	54	2 x 520	3 x 520	1 x 520
SBL-64-135	5280	4780	3570	2860	2280	14.1	1xØ350	2400	11	159	54	3 x 520	4 x 520	1 x 520
SBL-61-225	2170	1920	1440	1170	940	5.4	2xØ250	1620	6	190	46	1 x 600	2 x 600	1 x 600
SBL-62-225	2720	2460	1840	1430	1150	7.2	2xØ250	1520	6	190	46	2 x 600	2 x 600	1 x 600
SBL-64-225	3340	3050	2280	1800	1450	10.8	2xØ250	1320	5	190	47	2 x 600	3 x 600	1 x 600
SBL-61-230	3790	3420	2560	1960	1580	8.7	2xØ300	2890	9	132	51	1 x 800	2 x 800	1 x 800
SBL-62-230	4690	4220	3150	2390	1920	11.6	2xØ300	2760	8	138	51	2 x 800	3 x 800	1 x 800
SBL-63-230	5320	4870	3650	2920	2380	14.4	2xØ300	2640	8	140	51	2 x 800	3 x 800	1 x 800
SBL-64-230	5970	5420	4050	3260	2630	17.3	2xØ300	2530	8	142	52	3 x 800	4 x 800	1 x 800
SBL-61-235	6550	5950	4450	3510	2850	14.0	2xØ350	5540	13	306	58	2 x 1040	3 x 1040	1 x 1040
SBL-62-235	8360	7510	5620	4410	3550	18.8	2xØ350	5280	13	310	58	2 x 1040	3 x 1040	1 x 1040
SBL-63-235	9560	8610	6440	5160	4190	23.4	2xØ350	5020	12	316	57	3 x 1040	4 x 1040	1 x 1040
SBL-64-235	10560	9690	7250	5770	4730	28.2	2xØ350	4800	12	318	57	3 x 1040	4 x 1040	1 x 1040
SBL-61-325	3340	3030	2260	1810	1370	8.1	3xØ250	2430	7	285	48	1 x 900	2 x 900	1 x 900
SBL-62-325	4000	3670	2750	2220	1780	10.8	3xØ250	2280	7	285	48	2 x 900	2 x 900	1 x 900
SBL-64-325	5000	4570	3420	2770	2240	16.2	3xØ250	1980	6	285	49	2 x 900	3 x 900	1 x 900
SBL-61-330	5720	5000	3740	3070	2500	13.0	3xØ300	4340	10	198	53	2 x 1200	3 x 1200	1 x 1200
SBL-62-330	7040	6350	4750	3800	3070	17.3	3xØ300	4140	9	207	53	2 x 1200	3 x 1200	1 x 1200
SBL-63-330	8120	7370	5510	4330	3500	21.7	3xØ300	3960	9	210	53	2 x 1200	3 x 1200	1 x 1200
SBL-64-330	9000	8140	6090	4920	4000	26.0	3xØ300	3800	9	213	54	3 x 1200	4 x 1200	1 x 1200
SBL-61-335	9930	8940	6690	5210	4270	21.0	3xØ350	8310	14	459	60	2 x 1560	3 x 1560	1 x 1560
SBL-62-335	12400	11110	8310	6730	5350	28.0	3xØ350	7930	14	465	60	2 x 1560	3 x 1560	1 x 1560
SBL-63-335	14400	12980	9710	7760	6250	35.1	3xØ350	7540	13	474	59	3 x 1560	4 x 1560	1 x 1560
SBL-64-335	16040	14510	10850	8740	7100	42.1	3xØ350	7190	13	477	59	3 x 1560	4 x 1560	1 x 1560

ÜRÜN SEÇİMİ
PRODUCT SELECTIONKAPASİTE TABLOSU
CAPACITY TABLESÖLÇÜLER
MEASURESTEKNİK ÇİZİMLER
TECHNICAL DRAWINGSGENEL ÖZELLİKLER
SPECIFICATIONS

Kapasite ve Ölçüler

Capacity and Measures

Model	Ölçüler / Dimensions											Bağlantılar Connections		
	Boru Hacmi Tube Volume	Ağırlık Weight	L	H1	H2	D	A	B	B1	B2	C	Soğutucu Gaz Refrigerant		Defrost
												Giriş In	Çıkış Out	Çıkış Out
	l	kg	mm	mm	mm	mm	mm	mm	mm	mm	mm	Inch	Inch	Inch
SBL-61-125	0.6	14	608	376	412	420	276	325	-	-	306	3/8"	3/8"	1"G
SBL-62-125	0.8	15	608	376	412	420	276	325	-	-	306	3/8"	3/8"	1"G
SBL-64-125	1.2	18	608	376	412	420	276	325	-	-	306	1/2"	5/8"	1"G
SBL-61-130	1.0	16	708	440	476	459	291	425	-	-	321	1/2"	5/8"	1"G
SBL-62-130	1.3	17	708	440	476	459	291	425	-	-	321	1/2"	5/8"	1"G
SBL-63-130	1.7	18	708	440	476	459	291	425	-	-	321	1/2"	5/8"	1"G
SBL-64-130	2.0	20	708	440	476	459	291	425	-	-	321	1/2"	19	1"G
SBL-61-135	1.6	22	828	536	572	489	321	545	-	-	351	1/2"	19	1"G
SBL-62-135	2.2	24	828	536	572	489	321	545	-	-	351	1/2"	19	1"G
SBL-63-135	2.6	26	828	536	572	489	321	545	-	-	351	1/2"	22	1"G
SBL-64-135	3.2	35	828	536	572	489	321	545	-	-	351	1/2"	22	1"G
SBL-61-225	1.2	21	908	376	412	420	276	625	-	-	306	1/2"	5/8"	1"G
SBL-62-225	1.7	24	908	376	412	420	276	625	-	-	306	1/2"	5/8"	1"G
SBL-64-225	2.5	27	908	376	412	420	276	625	-	-	306	1/2"	19	1"G
SBL-61-230	2.0	24	1108	440	476	459	291	825	-	-	321	1/2"	19	1"G
SBL-62-230	2.7	27	1108	440	476	459	291	825	-	-	321	1/2"	19	1"G
SBL-63-230	3.3	29	1108	440	476	459	291	825	-	-	321	1/2"	22	1"G
SBL-64-230	3.9	31	1108	440	476	459	291	825	-	-	321	1/2"	22	1"G
SBL-61-235	3.0	36	1348	536	572	489	321	1065	-	-	351	1/2"	22	1"G
SBL-62-235	4.3	38	1348	536	572	489	321	1065	-	-	351	5/8"	28	1"G
SBL-63-235	5.2	41	1348	536	572	489	321	1065	-	-	351	5/8"	28	1"G
SBL-64-235	6.5	44	1348	536	572	489	321	1065	-	-	351	5/8"	28	1"G
SBL-61-325	1.9	28	1208	376	412	420	276	925	-	-	306	1/2"	19	1"G
SBL-62-325	2.5	31	1208	376	412	420	276	925	-	-	306	1/2"	22	1"G
SBL-64-325	3.7	38	1208	376	412	420	276	925	-	-	306	1/2"	22	1"G
SBL-61-330	3.0	32	1508	440	476	459	291	1225	-	-	321	1/2"	28	1"G
SBL-62-330	4.0	35	1508	440	476	459	291	1225	-	-	321	5/8"	28	1"G
SBL-63-330	5.0	39	1508	440	476	459	291	1225	-	-	321	5/8"	28	1"G
SBL-64-330	6.0	43	1508	440	476	459	291	1225	-	-	321	5/8"	28	1"G
SBL-61-335	4.5	47	1868	536	572	489	321	1585	-	-	351	5/8"	28	1"G
SBL-62-335	6.1	51	1868	536	572	489	321	1585	-	-	351	5/8"	28	1"G
SBL-63-335	7.8	56	1868	536	572	489	321	1585	-	-	351	5/8"	28	1"G
SBL-64-335	9.5	61	1868	536	572	489	321	1585	-	-	351	5/8"	28	1"G

Model	Kapasite / Capacity					Isı Transfer Yüzeği Heat Exchanger Surface	Fan					Isıtıcılar Electrical Defrost		
	SC1	+2/-8	SC2	SC3	SC4		Cap Diameter	Hava Debisi Air Flow	Hava Atrm Mesafesi Air Throw	Elektrik Gücü Power Consumption	Ses Seviyesi Noise Level	HT	LT	
	Tr= 10°C Te= 0°C ΔT= 10K	Tr= +2°C Te= -8°C ΔT= 10K	Tr= 0°C Te= -8°C ΔT= 8K	Tr= -18°C Te= -25°C ΔT= 7K	Tr= -25°C Te= -31°C ΔT= 6K		mm	m ³ /h	m	Watt	dB(A)	Watt	Watt	Watt
SBL-81-125	950	860	640	510	340	2.1	1xØ250	830	5	95	44	1 x 300	2 x 300	1 x 300
SBL-82-125	1190	1070	800	590	480	2.8	1xØ250	790	5	95	43	2 x 300	2 x 300	1 x 300
SBL-84-125	1480	1340	1000	810	620	4.2	1xØ250	700	4	95	43	2 x 300	3 x 300	1 x 300
SBL-81-130	1620	1410	1060	860	690	3.4	1xØ300	1470	8	66	49	1 x 400	2 x 400	1 x 400
SBL-82-130	2010	1820	1360	1040	840	4.5	1xØ300	1410	7	69	48	2 x 400	3 x 400	1 x 400
SBL-83-130	2370	2150	1610	1270	1020	5.6	1xØ300	1360	7	70	48	2 x 400	3 x 400	1 x 400
SBL-84-130	2650	2390	1790	1440	1120	6.7	1xØ300	1310	7	71	48	2 x 400	3 x 400	1 x 400
SBL-81-135	2880	2580	1930	1500	1210	5.4	1xØ350	2820	13	153	56	2 x 520	3 x 520	1 x 520
SBL-82-135	3610	3250	2430	1890	1510	7.2	1xØ350	2710	12	155	55	2 x 520	3 x 520	1 x 520
SBL-83-135	4190	3770	2820	2210	1770	9.0	1xØ350	2600	12	158	54	2 x 520	3 x 520	1 x 520
SBL-84-135	4710	4290	3210	2560	1990	10.9	1xØ350	2490	11	159	54	3 x 520	4 x 520	1 x 520
SBL-81-225	1860	1640	1230	1020	780	4.2	2xØ250	1660	6	190	47	1 x 600	2 x 600	1 x 600
SBL-82-225	2390	2170	1620	1230	990	5.5	2xØ250	1570	6	190	46	2 x 600	2 x 600	1 x 600
SBL-84-225	3030	2760	2070	1610	1300	8.3	2xØ250	1400	5	190	46	2 x 600	3 x 600	1 x 600
SBL-81-230	3300	2940	2200	1750	1580	6.7	2xØ300	2950	9	132	52	1 x 800	2 x 800	1 x 800
SBL-82-230	4110	3700	2770	2140	1620	9.0	2xØ300	2830	8	138	51	2 x 800	3 x 800	1 x 800
SBL-83-230	4760	4270	3190	2580	2060	11.2	2xØ300	2720	8	140	51	2 x 800	3 x 800	1 x 800
SBL-84-230	5360	4850	3630	2910	2350	13.5	2xØ300	2620	8	142	51	3 x 800	4 x 800	1 x 800
SBL-81-235	5640	5140	3840	2980	2370	10.8	2xØ350	5640	14	306	59	2 x 1040	3 x 1040	1 x 1040
SBL-82-235	7320	6580	4920	3840	3120	14.4	2xØ350	5420	13	310	58	2 x 1040	3 x 1040	1 x 1040
SBL-83-235	8480	7640	5710	4550	3690	18.1	2xØ350	5190	13	316	57	3 x 1040	4 x 1040	1 x 1040
SBL-84-235	9450	8630	6450	5160	4160	21.9	2xØ350	4980	12	318	57	3 x 1040	4 x 1040	1 x 1040
SBL-81-325	2880	2590	1930	1570	1140	6.3	3xØ250	2490	7	285	49	1 x 900	2 x 900	1 x 900
SBL-82-325	3500	3200	2400	1940	1570	8.4	3xØ250	2360	7	285	48	2 x 900	2 x 900	1 x 900
SBL-84-325	4540	4080	3050	2490	2000	12.6	3xØ250	2100	6	285	48	2 x 900	3 x 900	1 x 900
SBL-81-330	4970	4450	3330	2610	2100	10.1	3xØ300	4420	10	198	54	2 x 1200	3 x 1200	1 x 1200
SBL-82-330	6190	5560	4160	3320	2610	13.5	3xØ300	4240	9	207	53	2 x 1200	3 x 1200	1 x 1200
SBL-83-330	7220	6530	4880	3830	3000	16.7	3xØ300	4080	9	210	53	2 x 1200	3 x 1200	1 x 1200
SBL-84-330	8080	7310	5470	4390	3550	20.2	3xØ300	3920	9	213	53	3 x 1200	4 x 1200	1 x 1200
SBL-81-335	8520	7670	5740	4590	3590	16.2	3xØ350	8460	15	459	61	2 x 1560	3 x 1560	1 x 1560
SBL-82-335	10950	9770	7310	5880	4760	21.9	3xØ350	8130	14	465	60	2 x 1560	3 x 1560	1 x 1560
SBL-83-335	12750	11500	8600	6850	5550	27.2	3xØ350	7790	14	474	59	3 x 1560	4 x 1560	1 x 1560
SBL-84-335	14380	12950	9690	7810	6360	32.8	3xØ350	7470	13	477	59	3 x 1560	4 x 1560	1 x 1560

ÜRÜN SEÇİMİ
PRODUCT SELECTION

KAPASİTE TABLOSU
CAPACITY TABLES

ÖLÇÜLER
MEASURES

TEKNİK ÇİZİMLER
TECHNICAL DRAWINGS

GENEL ÖZELLİKLER
SPECIFICATIONS



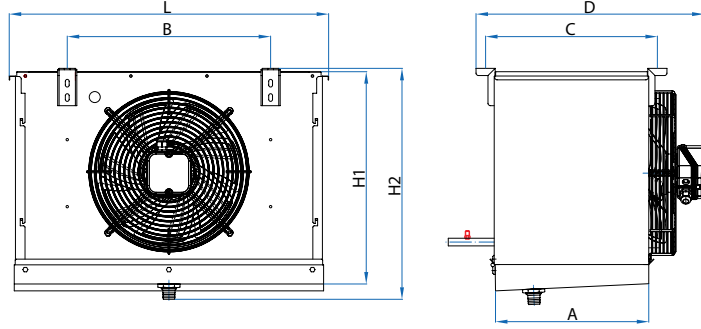
Kapasite ve Ölçüler

Capacity and Measures

Model	Ölçüler / Dimensions											Bağlantılar Connections		
	Boru Hacmi Tube Volume	Ağırlık Weight	L	H1	H2	D	A	B	B1	B2	C	Soğutucu Gaz Refrigerant		Defrost Defrost
												Giriş In	Çıkış Out	Çıkış Out
	l	kg	mm	mm	mm	mm	mm	mm	mm	mm	mm	Inch	Inch	Inch
SBL-81-125	0.6	14	608	376	412	420	276	325	-	-	306	3/8"	3/8"	1"G
SBL-82-125	0.8	15	608	376	412	420	276	325	-	-	306	1/2"	5/8"	1"G
SBL-84-125	1.2	18	608	376	412	420	276	325	-	-	306	1/2"	5/8"	1"G
SBL-81-130	1.0	16	708	440	476	459	291	425	-	-	321	1/2"	5/8"	1"G
SBL-82-130	1.3	17	708	440	476	459	291	425	-	-	321	1/2"	19	1"G
SBL-83-130	1.7	18	708	440	476	459	291	425	-	-	321	1/2"	19	1"G
SBL-84-130	2.0	20	708	440	476	459	291	425	-	-	321	1/2"	19	1"G
SBL-81-135	1.5	22	828	536	572	489	321	545	-	-	351	1/2"	19	1"G
SBL-82-135	2.0	24	828	536	572	489	321	545	-	-	351	1/2"	22	1"G
SBL-83-135	2.5	26	828	536	572	489	321	545	-	-	351	1/2"	22	1"G
SBL-84-135	3.2	35	828	536	572	489	321	545	-	-	351	1/2"	22	1"G
SBL-81-225	1.2	21	908	376	412	420	276	625	-	-	306	1/2"	5/8"	1"G
SBL-82-225	1.5	24	908	376	412	420	276	625	-	-	306	1/2"	19	1"G
SBL-84-225	2.3	27	908	376	412	420	276	625	-	-	306	1/2"	22	1"G
SBL-81-230	2.0	24	1108	440	476	459	291	825	-	-	321	1/2"	19	1"G
SBL-82-230	2.7	27	1108	440	476	459	291	825	-	-	321	1/2"	22	1"G
SBL-83-230	3.3	29	1108	440	476	459	291	825	-	-	321	1/2"	22	1"G
SBL-84-230	4.0	31	1108	440	476	459	291	825	-	-	321	5/8"	28	1"G
SBL-81-235	2.9	36	1348	536	572	489	321	1065	-	-	351	1/2"	22	1"G
SBL-82-235	4	38	1348	536	572	489	321	1065	-	-	351	5/8"	28	1"G
SBL-83-235	5.2	41	1348	536	572	489	321	1065	-	-	351	5/8"	28	1"G
SBL-84-235	6.5	44	1348	536	572	489	321	1065	-	-	351	5/8"	28	1"G
SBL-81-325	1.9	28	1208	376	412	420	276	925	-	-	306	1/2"	19	1"G
SBL-82-325	2.5	31	1208	376	412	420	276	925	-	-	306	1/2"	22	1"G
SBL-84-325	3.7	38	1208	376	412	420	276	925	-	-	306	1/2"	22	1"G
SBL-81-330	3.0	32	1508	440	476	459	291	1225	-	-	321	5/8"	28	1"G
SBL-82-330	4.0	35	1508	440	476	459	291	1225	-	-	321	5/8"	28	1"G
SBL-83-330	4.7	39	1508	440	476	459	291	1225	-	-	321	5/8"	28	1"G
SBL-84-330	6.0	43	1508	440	476	459	291	1225	-	-	321	5/8"	28	1"G
SBL-81-335	4.5	47	1868	536	572	489	321	1585	-	-	351	5/8"	28	1"G
SBL-82-335	6.5	51	1868	536	572	489	321	1585	-	-	351	5/8"	28	1"G
SBL-83-335	7.8	56	1868	536	572	489	321	1585	-	-	351	5/8"	28	1"G
SBL-84-335	9.7	61	1868	536	572	489	321	1585	-	-	351	5/8"	28	1"G

Teknik Çizimler

Technical Drawings



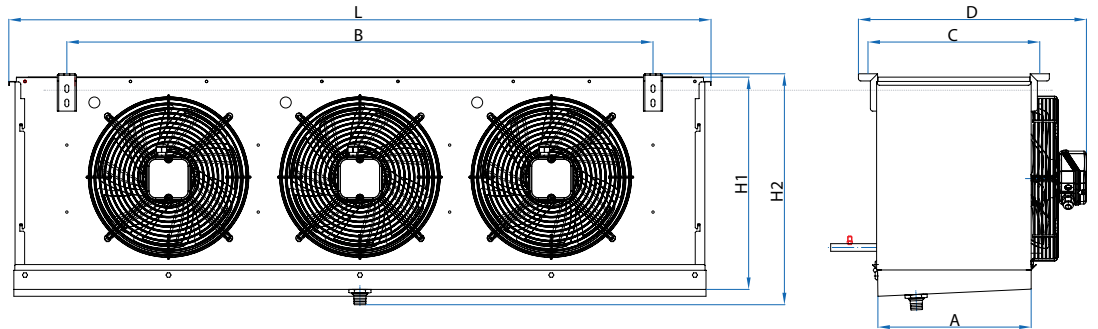
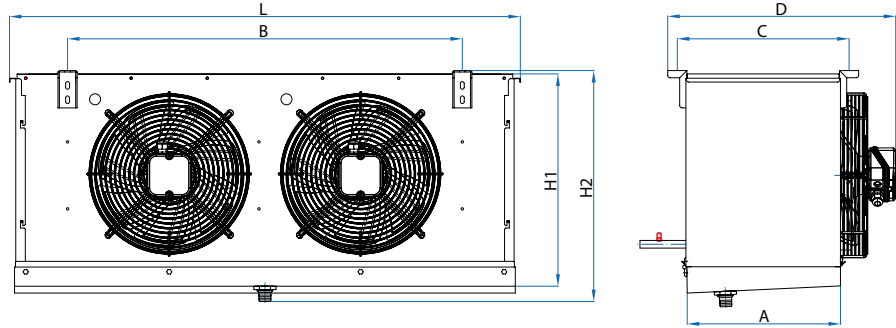
ÜRÜN SEÇİMİ
PRODUCT SELECTION

KAPASİTE TABLOSU
CAPACITY TABLES

ÖLÇÜLER
MEASURES

TEKNİK ÇİZİMLER
TECHNICAL DRAWINGS

GENEL ÖZELLİKLER
SPECIFICATIONS



Genel Özellikler

Specifications

Batarya	<ul style="list-style-type: none">Bakır borular Ø3/8",Fin malzemesi alüminyumdur,Lamel arası 4-6-8 mm'dir,Giriş – çıkış kolektör malzemesi bakırdır,İzin verilen en yüksek çalışma basıncı $P_s=24$ Bar.	Evaporator Coil	<ul style="list-style-type: none">Copper tubes Ø3/8",Fins made of aluminium,Fin spacings are 4-6-8 mm,Header inlet and outlet tube connections made of copper,Admissible pressure $P_s=24$ Bar.
Kasetleme	<ul style="list-style-type: none">Galvaniz çelik üzerine RAL 9016 (trafik beyazı) boyalıdır.	Casing	<ul style="list-style-type: none">Galvanized steel sheet painted to RAL 9016 (traffic white).
Fan	<ul style="list-style-type: none">Düşük ses seviyeli ve bakım gerektirmeyen fanlar kullanılmaktadır,Koruma sınıfı IP44/54, Monofaze 230V 1~ 50Hz,Fan konstrüksiyonu izolasyon malzeme sınıfı F/B, çalışma sıcaklığı -30°C ile +40/+55°C arasındadır,Uzun süreli bekleme durumları için fan motorları her ay 2 saat çalıştırılmalıdır,Entegre edilmiş termistörler motor koruması için mutlaka kullanılmalıdır,Düşük sıcaklıklarda ve hava direncinin değişmesi durumunda fanların çektikleri elektrik gücü artar.	Fans	<ul style="list-style-type: none">Low-noise axial fans with maintenance free motors,Protection class IP 44/54, single phase 230V 1~ 50Hz,Constructions insulation material class F/B, admissible temperature -30°C up to +40/+55°C,In case of long periods of non operation the motors must be operated every month for 2 hours,The integral thermo contacts (thermistors) must be used as motor protection,At low ambient temperatures and different air resistance the power consumption will increase.
Ses Özellikleri	<ul style="list-style-type: none">Ses seviyeleri EN 13487'ye göre hesaplanmıştır.	Sound Specifications	<ul style="list-style-type: none">The sound pressure levels are calculated according to EN 13487.
Defrost	<ul style="list-style-type: none">Kullanılan sıcaklığa bağlı olarak (+2°C/-5°C) HT veya (-2°C/-25°C) LT tip elektrikli defrost seçenekleri bulunmaktadır,Sıcak gaz defrost hazırlığı (batarya ve tava kısmında sıcak gaz defrost borulaması opsiyoneldir),Sulu defrost.	Defrosting	<ul style="list-style-type: none">Electrical defrost as HT for (+2°C/-5°C) or LT type for (-2°C/-25°C) as optional,Hot gas defrosts without tubing inside of coil and drip tray, without non-return valve,Water defrost.
Kapasite	<ul style="list-style-type: none">Nominal kapasiteler Eurovent (EN 328 standartları dikkate alınarak SC1-SC2-SC3-SC4 şartlarında R404A gazı için hesaplanmıştır,Ürünlerin soğutma kapasiteleri oda sıcaklığı T_r ve evaporasyon sıcaklığının T_e farkına bağlı olarak değişir ($\Delta T = T_r - T_e$).	Capacity	<ul style="list-style-type: none">The nominal capacities calculated according to Eurovent (EN 328) standards that refer to SC1-SC2-SC3-SC4 conditions and are valid for R404A,The refrigerating capacities refer to an air inlet temperature difference which results from the difference between cooler air inlet temperature T_r, evaporating temperature T_e and $\Delta T = T_r - T_e$.
Seçenekler	<ul style="list-style-type: none">Farklı dış kabin rengi,Farklı boru et kalınlığı ve hatve,Trifaze 400V 3~ 50Hz fan,Katalogda belirtilmeyen özel ürünler için lütfen satış departmanı ile irtibata geçin.	Options	<ul style="list-style-type: none">Different casing color,Other tube wall thicknesses and fin spacing on request,Three phase 400V 3~ 50Hz fan,Please keep in touch with our sales department about your special needs that are not mentioned in the catalogue.
Notlar	<ul style="list-style-type: none">Montaj, Bakım - Taşıma ve Kaldırma detayları için kullanım Kılavuzuna başvurunuz.	Notes	<ul style="list-style-type: none">Please check our user manual for installation, maintenance – carrying and lifting details.
Aksesuarlar	<ul style="list-style-type: none">Bataryada ve tavada sıcak gaz defrost,Yalıtım tavası,Paslanmaz çelik kabin,Epoxy boya,Fan kablo rezistansı,Drenaj hattı kablo rezistans.	Accessories	<ul style="list-style-type: none">Hot gas defrost in coil and drip tray,Insulated drip tray,Casing made of stainless steel,Epoxy resin coated aluminium fins,Fan cable heaters,Drain line cable heater.



SARBUZ ISI TRANSFER CİHAZLARI SAN. ve TİC. A.Ş

Ömerli Mah. Adnan Kahveci Cad.
Seden Sok. No:14
Hadimköy 34555 Arnavutköy - İstanbul / TURKEY

phone. +90.212 407 0353 Pbx info@sarbuzz.com/ sales@sarbuzz.com
fax. +90.212 671 9996 www.sarbuzz.com

CE ISO 9001:2008



Profesyonel İş
Ortağı

Professional
Business
Partner



Güler Yüzlü
Hizmet Anlayışı

Smiling Service
Approach



Zaman
Kazandıran
Üretim Politikası

Time-saving
Production
Policy



Çevre Dostu
Üretim Politikası

Environmentally
Friendly
Production
Policy

SINCE 1974
SARBUZ[®]
HEAT EXCHANGERS



REV/00-1214

SBL SERIES SMALL UNIT COOLERS

SBL Serisi Ufak Oda Soğutucuları